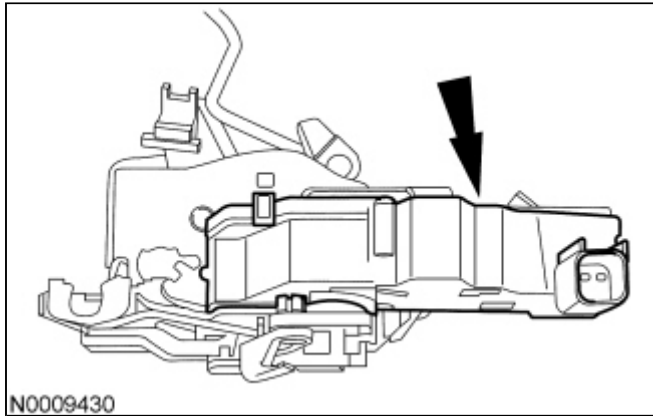


Door Lock Actuator

Removal and Installation

1. Remove the door latch. For additional information, refer to [Door Latch](#) in this section.
2. Remove the door lock actuator.



3. To install, reverse the removal procedure.
-